

ATLAS



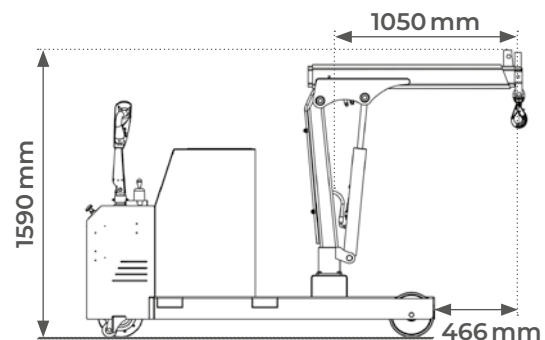
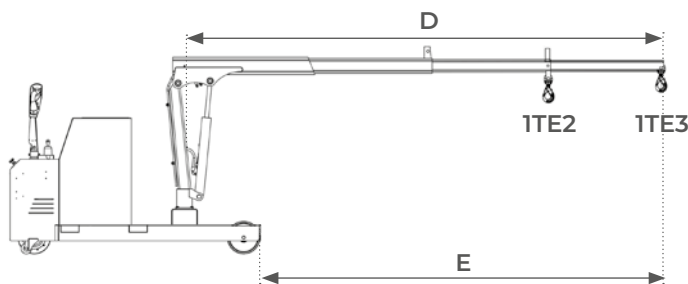
Motorized counterbalance shop crane 1000 kg up to 3 m extension

FEATURES

- Fully electric: lifting, extension, traveling
- Excellent driving quality, can travel with the load
- Exceptional turning radius, very good maneuverability
- Automatic overload safety device
- Waterproof AGM battery and integrated charger
- Arm extension locking system
- Complies with all safety standards, emergency stop, differential, buzzer, shut-off valve, etc.



**ELECTRIC LIFT
AND EXTENSION,
MOTORIZED
TRAVELING**



EXCLUSIVE
PARTNER



Model		ATLAS1TE2	ATLAS1TE3
Folded boom capacity	kg	1000	1000
Extended boom max. capacity	kg	370	250
Overall dimensions (L x W x H)	mm	1927 x 800 x 1432	1927 x 800 x 1432
Min./Max. boom length	D mm	1050/2800	1050/3680
Extension	E mm	466/2216	466/3096
Traction motor	Kw	1,2	1,2
Lift motor	Kw	2,2	2,2
AGM battery	V/A	2 x 12/2 x 120	2 x 12/2 x 120
Charger	V/A	24/12	24/12
Weight	kg	1600	1650

