

W

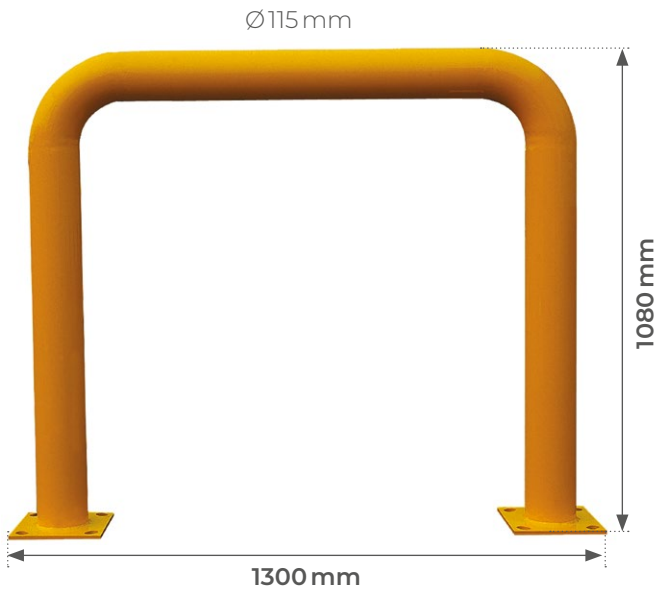
Safety bollard machine and rack guards

FEATURES

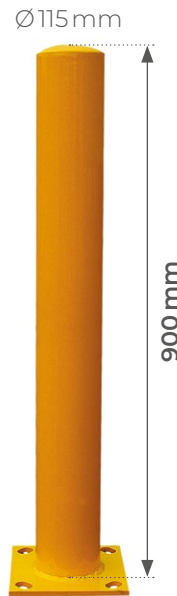
- Machines and personnel protection
- Traffic routes demarcation
- Indoor or outdoor use
- High-strength steel pipe
- 200x200 mm base plate with 4xØ 10 mm anchor holes



W178



W170



W145



Anchor bolts not included

Model		W170	W178	W145
Total height	mm	1080	250	900
Length center	mm	1100	1100	-
Tube	mm	Ø 115	Ø 115	Ø 115
Support plate dimensions (L x W)	mm	200 x 200	200 x 200	200 x 200
Weight	kg	29	27	10