

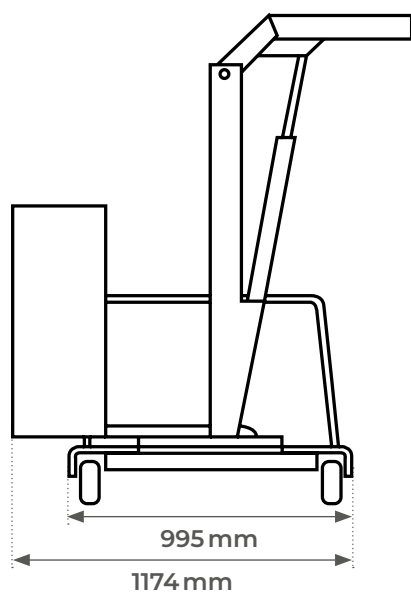
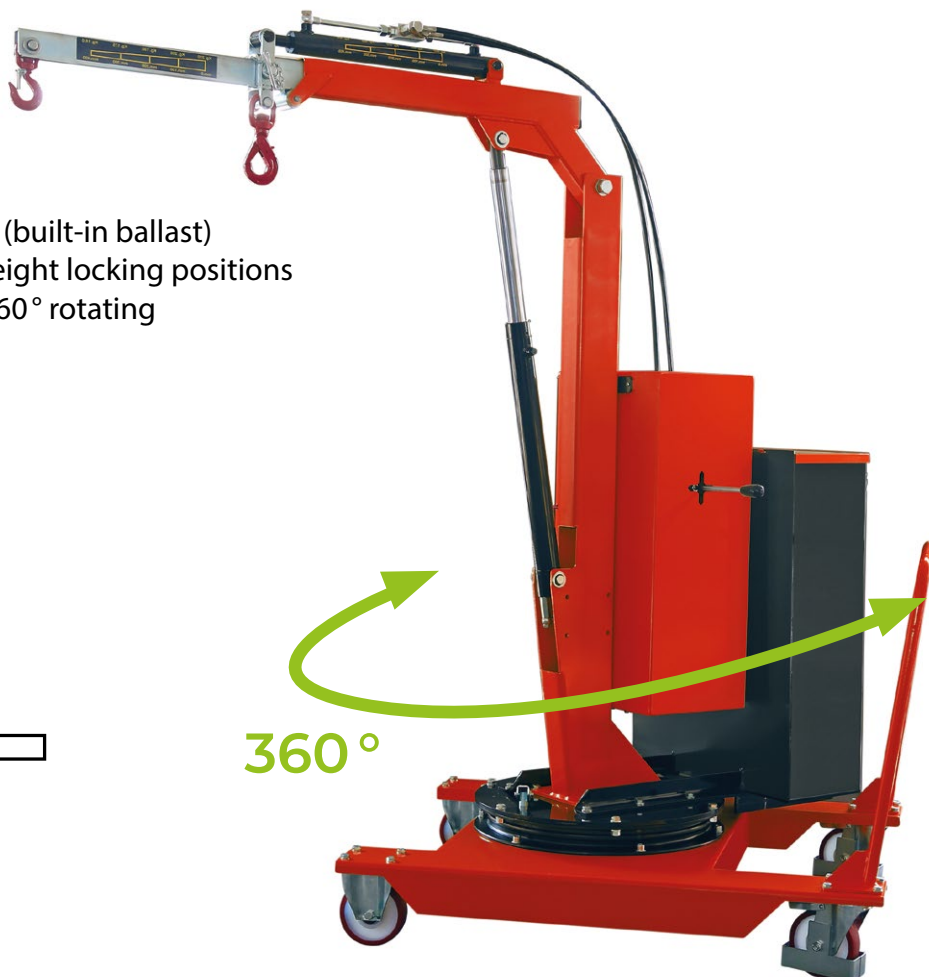
SCP05EE



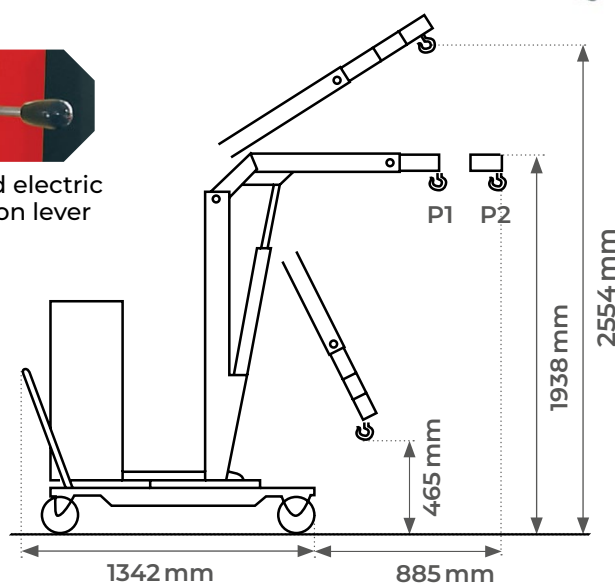
Electric lifting and boom extension pivoting counterbalance shop crane 500 kg

FEATURES

- Versatile and easy to operate
- Electric lift and extension
- High accuracy positioning
- Load capacity: 500 kg capacity (built-in ballast)
- Mast on a rotating turret with eight locking positions
- Delivered with a shackle and 360° rotating large opening hook
- Epoxy paint coating
- Three-year warranty



Elevation and electric arm extension lever



EXCLUSIVE PARTNER



Model		SCP05EE
Load capacity	kg	500
Overall dimensions (L x W x H)	mm	1827 x 1174 x 1938
Battery	V/Ah	12/8
Wheels	mm	Ø 200
Total weight	kg	660

Position		1	2
Length	mm	485	885
Load capacity	kg	500	320