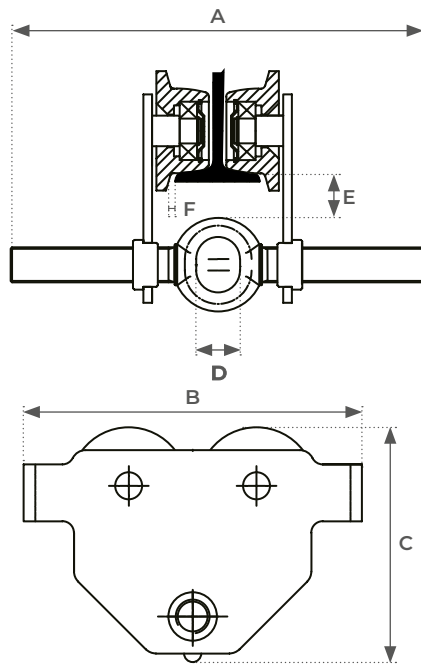


PT

Quick installation manual hoist trolley 500 to 3000 kg

FEATURES

- Four guide rollers assembly
- Quick and easy to install
- Push travel mechanism
- Robust
- Threaded adjusting bar
- Load capacity up to 3000 kg



Photos and dimensions are not contractual. The manufacturer reserves the right to make any modification without notice.

Model		PT05-A	PT10-A	PT20-A	PT30-A
Load capacity	kg	500	1000	2000	3000
Tested up to	kg	625	1250	2500	3750
Setting range	mm	55 - 220	58 - 220	66 - 220	74 - 220
Min. bending radius	m	0,5	0,7	0,9	1,2
A (min.)	mm	285	300	300	328
B	mm	198	238	277	324
C	mm	158	183	208	249
D	mm	12,5	17	20	26
E	mm	40	31	31	31
F	mm	≈ 3	≈ 3	≈ 3	≈ 3
Weight	kg	5	8,8	14	23