

PS12L ♦ PS16L ♦ PS20L



Electric walker stacker
1200, 1600 and 2000 kg maximum load capacity



DESCRIPTION

PS12L, PS16L, and PS20L series are tailored to suit most walkie stacker operations. The load capacity ranges between 1200 and 2000 kg.

The long steering handle guarantees the operator is at a safe distance from the stacker.

Stacker operations are more reliable and faster thanks to the proportional lift system.

FEATURES

- Ergonomic, compact and extremely maneuverable
- Proportional lift and lower ensure maximum precision
- Powerful, maintenance-free AC Schabmüller motor
- Core components from top leading brands
- The structure has four points of contact for best stability



Long steering to improve ergonomics and safety

A long steering handle guarantees the operator is at a safe distance from the stacker and improves ergonomics. Its design ensures less operational effort compared to short-handle stackers.

HIGH-END COMPONENTS

REMA

Multifunctional Rema handle with ergonomic contactless rocker-switches
(German)

AC Schabmüller traction motor
(German)



KORDEL



Kordel drive unit
(German)

Intorq brakes
(German)

INTORQ

Wicke



Wicke steering wheels
(German)

Zapi electronic controllers
(Italian)



HPI

HPI hydraulics
(French)

SPE or ATIB chargers
(Italian)



High-end components reduce maintenance costs and guarantee high performance and reliability when performing the most intense operations.

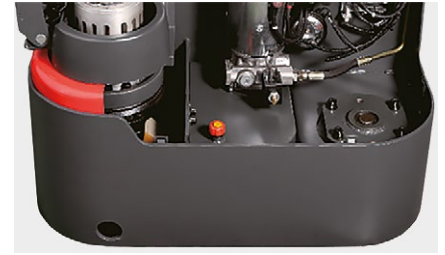


CAN-BUS technology

CAN-Bus eliminates the need for excessive wiring, thus guaranteeing reliability. This technology eases maintenance operations diagnosis and settings.

Maintenance downtime is shorter than trans-stacker that do not have this technology. Also, parts last longer with digital signals than analog signals.

CAN-BUS



Robust and reliable design

The robust chassis and its 8 mm thick mainframe protect the stacker and its components against impact collisions.

The stainless steel battery cover provides enhanced protection and reduces maintenance costs and possible damages.

As parts and brakes are protected from impacts, the AC motor design can withstand dirty floors in the workplace. The controller is protected against dust and splash (IP 54).



German AC traction motor

Powerful German Schabmueller AC traction motor, Kordel drive unit, Intorqe brake, and Wicke steering wheels are the perfect combination to provide the best performance, safety, and flexibility under any circumstance. Besides, they also reduce operating costs.

The AC motor is always ready for action, whether it is a light or strong acceleration.



Easy maintenance

The pallet truck and its parts have been specially designed to perform maintenance and service with ease. With only two screws, the cowl can be easily removed for easy access to all components. Wheels and rollers can be easily replaced without a lifting device.



Proportional lift / lower system

The electronically controlled proportional lift and lower system ensures accurate fork positioning and stacking operations.

Proportional lift works best when dealing with high stacks.



PS20L



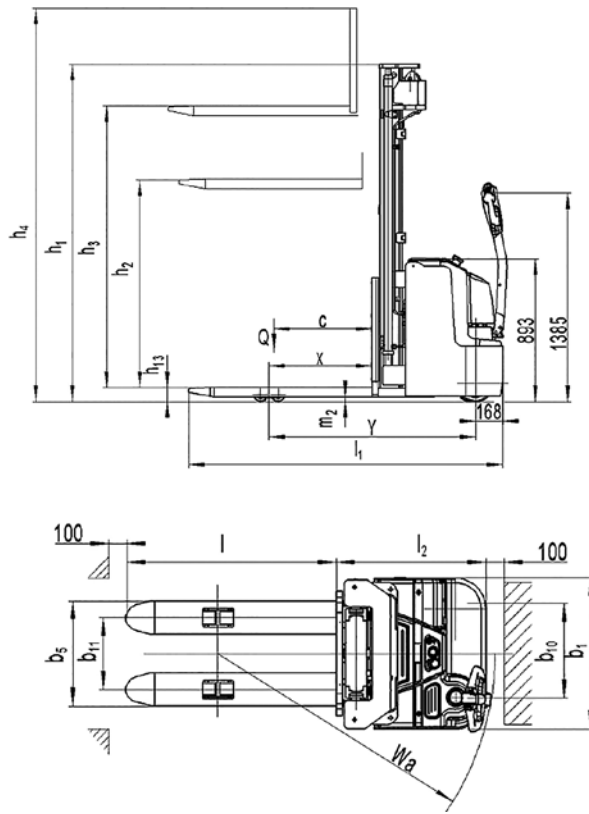
To each application a matching battery capacity

Each PSL series has a battery corresponding to a specific type of use:

- PS12L has a 2VBS-180 Ah battery for short stackers used in narrow operating areas;
- PS16L has a 3VBS-270 Ah battery;
- PS20L has 3 PzS DIN-350 Ah battery for long operations and several shifts use.

Available in option

- Several mast models
- Load backrest



Stockman Reference	Mast	Mast lowered height $h1$ (mm)	Free lift $h2$ (mm)	Standard lift $h3$ (mm)	Mast raised height $h4$ (mm)	Weight (kg)
PS12L						
PS12L29FFLLP	Duplex FFL	1958	1410	2830	3380	998
PS12L32FFLLP		2108	1560	3130	3680	1003
PS12L36FFLLP		2308	1760	3530	4080	1007
PS12L40FFLLP	Triplex FFL	1908	1310	3930	4600	1110
PS12L43FFLLP		2128	1420	4230	4900	1130
PS12L46FFLLP		2228	1520	4530	5200	1150
PS16L						
PS16L29FFLLP	Duplex FFL	1958	1410	2830	3380	1215
PS16L32FFLLP		2108	1560	3130	3680	1230
PS16L36FFLLP		2308	1760	3530	4080	1245
PS16L40FFLLP		2520	1064	3930	4480	1295
PS16L40FFLLP	Triplex FFL	1908	1320	3930	4480	1295
PS16L43FFLLP		2008	1420	4230	4780	1325
PS16L46FFLLP		2108	1520	4530	5080	1340
PS16L53FFLLP		2343	1756	5230	5780	1370
PS16L55FFLLP		2410	1800	5430	6110	1380
PS20L						
PS20L29FFLLP	Duplex FFL	2078	1410	2830	3500	1355
PS20L32FFLLP		2228	1560	3130	3800	1380
PS20L36FFLLP		2428	1760	3530	4200	1395
PS20L40FFLLP	Triplex FFL	1978	1310	3930	4600	1520
PS20L43FFLLP		2128	1420	4230	4900	1550
PS20L46FFLLP		2228	1520	4530	5200	1579

Technical data according to VDI 2198 regulation						
Specifications	1.2	Product Reference ♦ Model		PS12L FFLLP	PS16L FFLLP	PS20L FFLLP
	1.3	Power supply		battery	battery	battery
	1.4	Operator type		pedestrian		
	1.5	Load Capacity	Q(t)	1,2	1,6	2
	1.6	Load center distance	c(mm)	600	600	600
	1.8	Distance from carriage to caster axle	x(mm)	647	647	647
	1.9	Wheelbase	y(mm)	1248	1293	1429
Weight	2.1	Weight (batteries included)	kg	see table opposite		
	2.2	Axle load laden front/rear	kg	684/1523	930/2010	1000/2579
	2.3	Axle load unladen front/rear	kg	610/397	850/490	900/679
Wheels	3.1	Wheels		polyurethane (PU)		
	3.2	Steering wheel dimensions	Øxw(mm)	Ø230x70	Ø230x70	Ø230x70
	3.3	Load rollers dimensions	Øxw(mm)	Ø85x75	Ø85x75	Ø85x75
	3.4	Stabilizing rollers dimensions	Øxw(mm)	Ø150x54	Ø150x54	Ø150x54
	3.5	Number of front/rear wheels (x=driving wheel)		1x+1/4	1x+1/4	1x+1/4
	3.6	Front axle wheelbase	b10(mm)	522	522	522
	3.7	Load roller wheelbase	b11(mm)	390/505	390/505	390/505
Dimensions	4.2	Mast lowered height	h1(mm)	see table opposite		
	4.3	Free lift	h2(mm)	see table opposite		
	4.4	Standard lift	h3(mm)	see table opposite		
	4.5	Mast raised height	h4(mm)	see table opposite		
	4.9	Tiller height in drive position min/max	h14(mm)	850/1385	850/1385	850/1385
	4.15	Fork lowered height	h13(mm)	90	90	90
	4.19	Overall length	l1(mm)	1919	1964	2100
	4.20	Front axle to fork face length	l2(mm)	769	814	950
	4.21	Overall width	b1(mm)	820	820	820
	4.22	Fork dimensions	s/e/l(mm)	60/180/1150	60/180/1150	60/180/1150
	4.25	Width across forks	b5(mm)	570/685	570/685	570/685
	4.32	Ground clearance	m2(mm)	28	28	23
	4.33	Aisle width for 1000x1200 mm pallets crossways	Ast(mm)	2336	2406	2536
	4.34	Aisle width for 800x1200 mm pallets lengthways	Ast(mm)	2322	2393	2523
	4.35	Turning radius	Wa(mm)	1440	1510	1640
Performances	5.1	Travel speed, laden/unladen	km/h	6 / 6	5,7 / 6	5,4 / 6
	5.2	Lift speed, laden/unladen	mm/s	100/170	130/200	130/200
	5.3	Lowering speed, laden/unladen	mm/s	110/110	140/200	140/200
	5.8	Gradeability laden/unladen	%	6/12	6/12	6/10
	5.10	Service brake		electromagnetic		
Electrical system	6.1	Drive motor rating S2 60 min	kW	1,3	1,3	1,3
	6.2	Lift motor rating at S3 15 %	kW	2,2	2,2	2,2
	6.3	Battery acc. to DIN 43531 / 35 / 36 A, B, C, No		2VBS	3VBS	3PzS
	6.4	Battery voltage, nominal capacity K5	V/Ah	24/180	24/270	24/350
	6.5	Battery weight	kg	172 to 175	245 to 255	245 to 255
	6.6	Energy consumption acc. to VDI cycle	kWh/h	1	1	1
Additional data	8.1	Type of drive control		AC - speed control		
	8.4	Noise level at driver's ear acc. to EN12053	dB(A)	<70	<70	<70

RESIDUAL CAPACITY

SX ♦ Single

DX ♦ Duplex

TX ♦ Triplex

SL ♦ Straddle legs

FFL ♦ Full free lift

LI ♦ Initial lift

LP ♦ Proportional lift

DA ♦ Electrical power steering

SC ♦ Built-in weighing scale

CP ♦ Pin code

PS20L ♦ PP. 114 TO 119

PS20L29FFLLP DX
 PS20L32FFLLP DX
 PS20L36FFLLP DX
 PS20L40FFLLP TX
 PS20L43FFLLP TX
 PS20L46FFLLP TX



PS20L29FFLLP DX

h3 (mm)	Q (kg)	
	600	700
2900	1600	1300
2500	2000	1600

cdg (mm)	600	700
----------	-----	-----

PS20L32FFLLP DX

h3 (mm)	Q (kg)	
	600	700
3200	1300	1000
2900	1600	1300
2500	2000	1600

cdg (mm)	600	700
----------	-----	-----

PS20L36FFLLP DX

h3 (mm)	Q (kg)	
	600	700
3600	1200	900
3200	1300	1000
2900	1600	1300
2500	2000	1600

cdg (mm)	600	700
----------	-----	-----

PS20L40FFLLP TX

h3 (mm)	Q (kg)	
	600	700
4000	1150	850
3600	1200	900
3200	1300	1000
2900	1600	1300
2500	2000	1600

cdg (mm)	600	700
----------	-----	-----

PS20L43FFLLP TX

h3 (mm)	Q (kg)	
	600	700
4300	1100	800
3600	1200	900
3200	1300	1000
2900	1600	1300
2500	2000	1600

cdg (mm)	600	700
----------	-----	-----

PS20L46FFLLP TX

h3 (mm)	Q (kg)	
	600	700
4600	1000	700
4000	1100	800
3600	1200	900
3200	1300	1000
2900	1600	1300
2500	2000	1600

cdg (mm)	600	700
----------	-----	-----