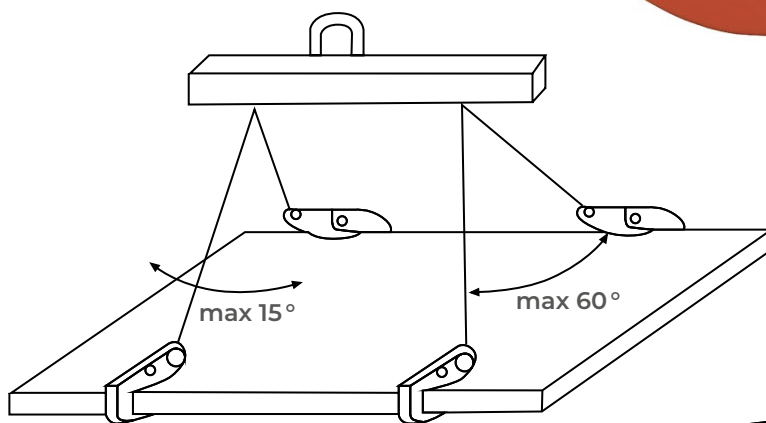


# PLB

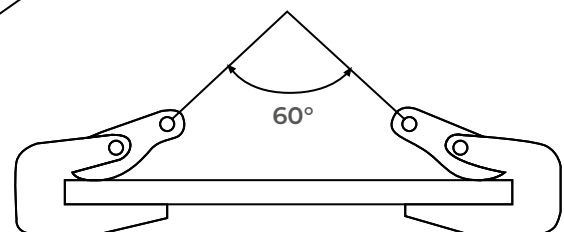
## Horizontal plate clamps 1000 to 10 000 kg

### FEATURES

- Robust design
- Simple use and easy to install
- Sheet metal automatically clamped when lifted
- Load capacity: up to 10000 kg



**PLB1.6**



| Model                  |    | PLB1   | PLB1.6 | PLB2   | PLB3.2 | PLB4   | PLB5   | PLB6   | PLB8    | PLB10   |
|------------------------|----|--------|--------|--------|--------|--------|--------|--------|---------|---------|
| Load capacity per pair | kg | 1000   | 1600   | 2000   | 3200   | 4000   | 5000   | 6000   | 8000    | 10000   |
| Opening                | mm | 0 - 30 | 0 - 30 | 0 - 40 | 0 - 45 | 0 - 50 | 0 - 55 | 0 - 65 | 0 - 100 | 0 - 125 |
| Weight                 | kg | 3,5    | 4      | 5      | 6      | 6,5    | 7,5    | 10,5   | 23,2    | 26      |