



HLBN

Premium manual lever chain hoist 750 to 9000 kg

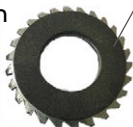
The drive shaft ball bearing eases maneuvering, provides a longer service life and reduces the effort by 10% compared to regular manual hoists



Ring mounted greased disc brake for more robustness, flexibility and reliable use



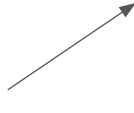
Large gear tooth friction disc made of graphite provides longer service life



Splined brake disc reduces wear, improves efficiency and safe braking



The short link lifting chain electrically welded by Wafios German machinery conforms to EN818-7 standard



The forged steel sling of the safety hook provides remarkable robustness. This ergonomic sling has been specially designed to facilitate its usage and to improve safety



Forged steel spindle gear ensures sturdiness and reliability



Ergonomic lever. Reduction clutter from 15 to 35 % compared to standard models



Large format stop hook made of electro-galvanized steel for total security



HLBN75A

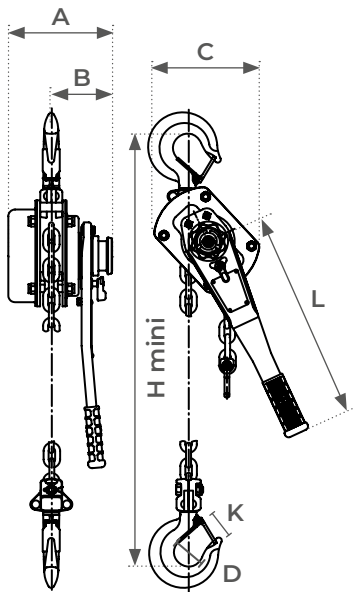
HLBN



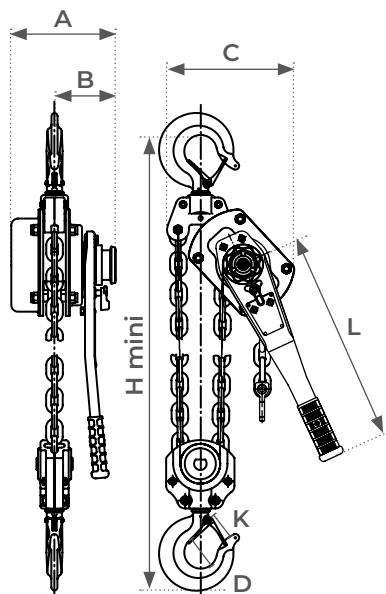
Premium manual lever hoist 750 to 9000 kg

**IN ACCORDANCE WITH
EN 13157 AND EN 818-7
STANDARDS**

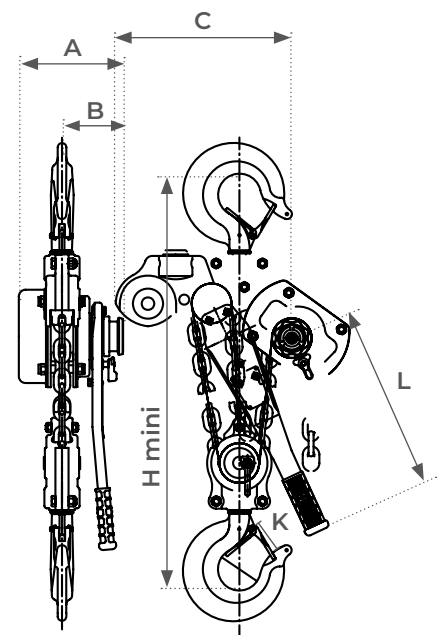
**ALL OUR HOISTS
ARE TESTED
BEFORE SHIPMENT**



**HLBN75A
HLBN100A
HLBN150A
HLBN300A**



HLBN600A



HLBN900A

Model		HLBN75A	HLBN100A	HLBN150A	HLBN300A	HLBN600A	HLBN900A
Maximum working load (MWL)	kg	750	1000	1500	3000	6000	9000
Number of strands		1	1	1	1	2	3
Lifting chain dimensions (d x d)	mm	6x18	6x18	8x24	10x30	10x30	10x30
Standard lifting height	m	3	3	3	3	3	3
Lever force at rated load	daN	14,7	18	29,5	33,5	37	42
Dimensions A	mm	160	170	182	207,5	208	207,5
B	mm	100	100	109	122	122	122
H mini	mm	320	320	365	490	580	830
L	mm	290	290	290	420	420	420
K	mm	26	26	29	39	43	58
Weight with standard stroke (3 m)	kg	7,7	9	12,5	25,9	35,75	48,3