

GP



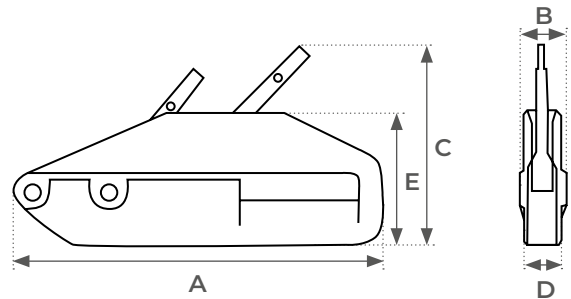
Endless wire rope winch 800 to 3200 kg

FEATURES

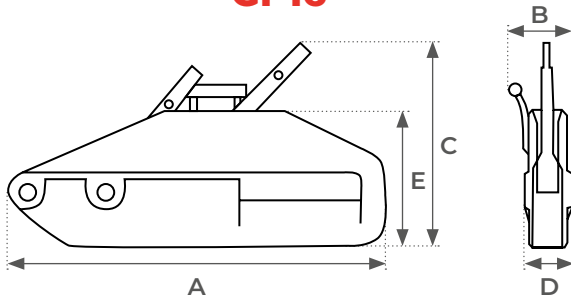
- Can be used horizontally, vertically or diagonally
- Safeguard shear pin release beyond 15% overload
- Die cast aluminum frame, GP16 and GP32 models feature a carrying handle



GP08



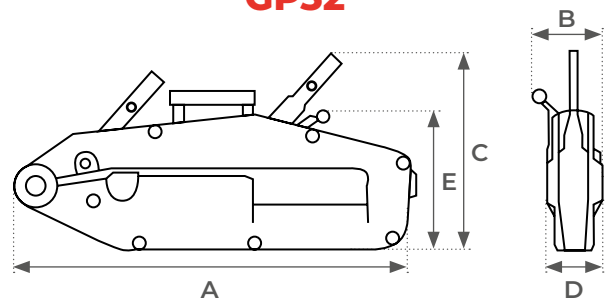
GP16



20 M WIRE ROPE AND HOOK INCLUDED



GP32



Model		GP08	GP16	GP32
Vertical capacity	kg	800	1600	3200
Cable	mm	Ø8,3	Ø11	Ø16
A	mm	426	545	660
B	mm	64	97	116
C	mm	235	280	325
D	mm	59	72	94
E	mm	170	190	220
Weight	kg	6	12	22