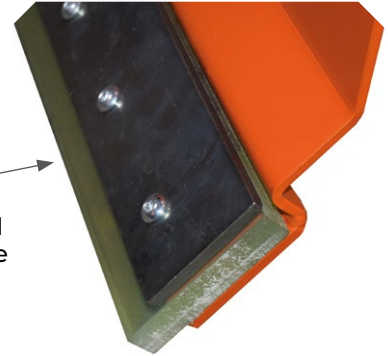


# EN1800

## Snow plow blades

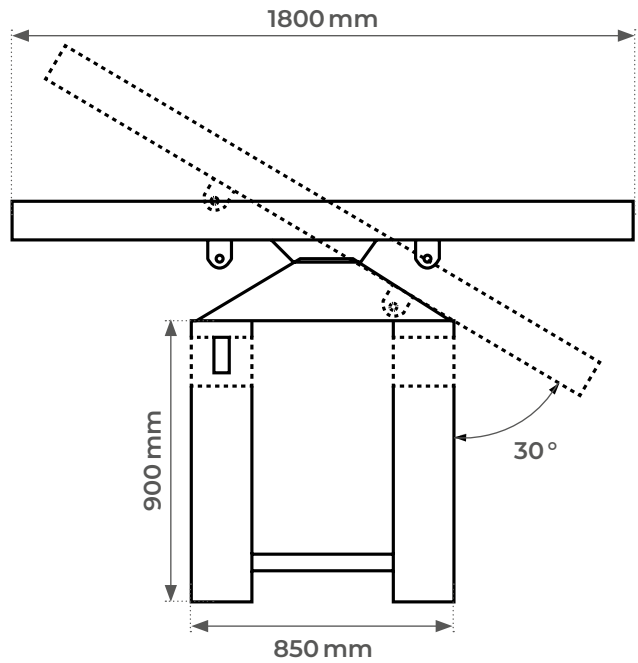
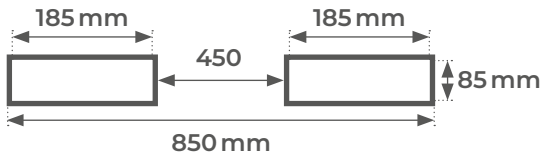
### FEATURES

- Robust steel structure
- Delivered with safety chain
- Epoxy coating
- Interchangeable polyurethane blade
- Manual pivot mechanism for angled plowing to left and right
- Rear stand offers stable standing on the ground when stored



Standard equipped with a polyurethane blade

Available as spare part  
**CONTACT US**



**PLEASE VERIFY ATTACHMENT MATCHES FORKLIFT CAPACITIES**

Model		EN1800
Length	mm	1800
Fork sleeves	mm	185x85
Rotation angle	°	± 30
Hitch ball height	mm	600
Weight	kg	180