

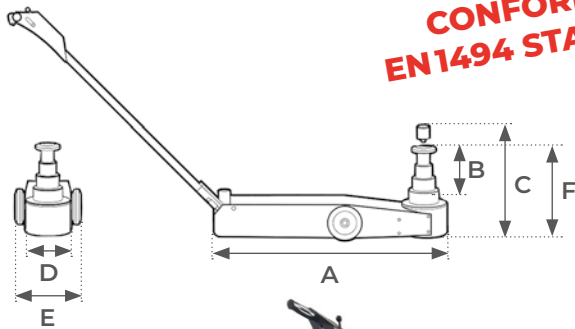
CRH

Pneumatic hydraulic jack 10000 to 65000 kg

FEATURES

- Made of chromium molybdenum vanadium
- Anti-corrosion and anti-seizing treatment
- Automatic lowering device when empty
- Automatic mechanical locking when lifting in case of air failure
- Operating pressure between 6 and 8 bars
- Overload safety valve and lowering control system
- 100 mm nozzle included (60 mm nozzle for CRH102035)

**CONFORMS TO
EN1494 STANDARDS**



CRH203565



CRH102035



CRH1530COMPACT



CRH25



**CRH1530X
PORTABLE UNIT**

Model		CRH102035	CRH1530COMPACT	CRH203565	CRH25	CRH1530X
Load capacity depending on lift height	t/mm	10/285 20/230 35/180	15/300 30/223	20/415 35/334 65/258	25/323	15/300 30/223
Tiller length	mm	1280	1280	1280	1280	950
Chassis length A	mm	807	807	793	560	518
Cylinder height B	mm	160	150	235	108	173
Total height nozzle included C	mm	345	400	515	424	400
Chassis width D	mm	157	157	194	157	154
Total width E	mm	260	280	317	280	253
Min. height F	mm	125	150	180	215	150
Weight	kg	41	43,5	69,5	47	31