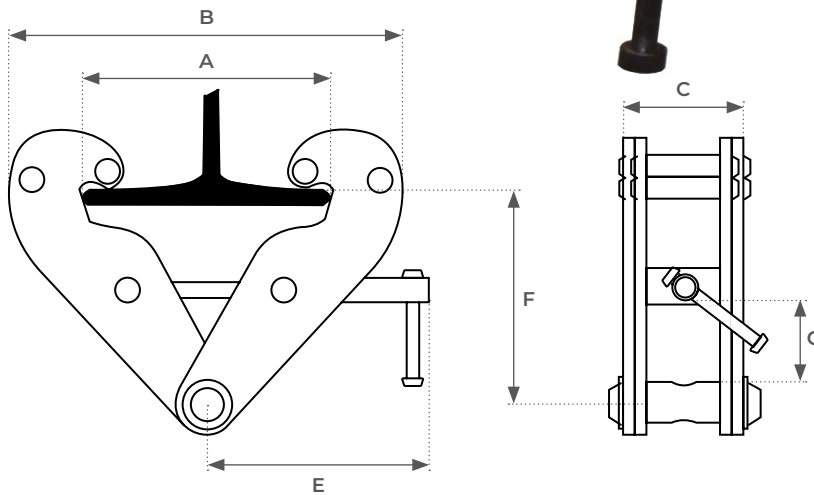


# BC

## Quick installation girder beam clamp 1000 to 10 000 kg

### FEATURES

- Quick and easy to install
- Threaded bar for clamp width adjustment
- Load capacity: from 1000 to 10000 kg
- Precise and easy adjustment for different sizes of IPN/IPE iron beams



Model		BC10	BC20	BC30	BC50	BC100
Load capacity	kg	1000	2000	3000	5000	10000
Setting range	mm	75 - 220	75 - 220	80 - 320	80 - 320	90 - 320
A max.	mm	260	260	354	354	365
B min./max.	mm	180/360	180/360	235/490	235/490	320/505
C	mm	64	74	103	110	120
E	mm	215	215	260	260	260
F min./max;	mm	102/155	102/155	140/225	140/225	170/225
G	mm	25	25	45	45	50
Weight	kg	3,8	4,6	9	11	16

