

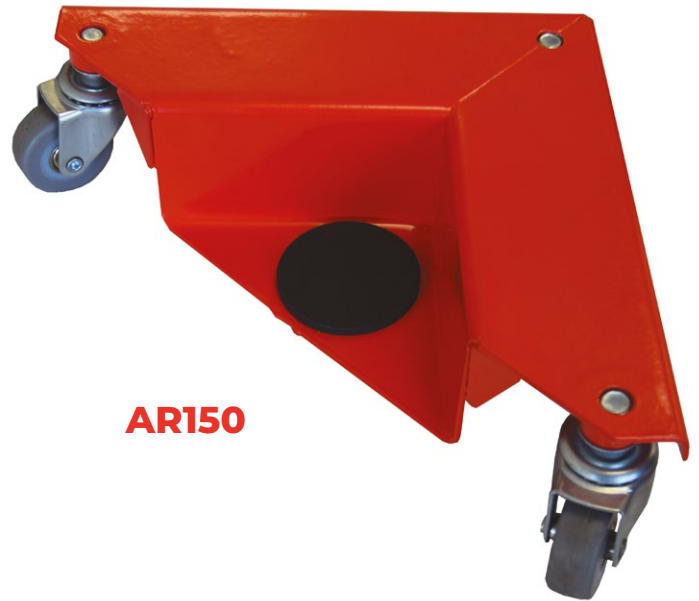
AR



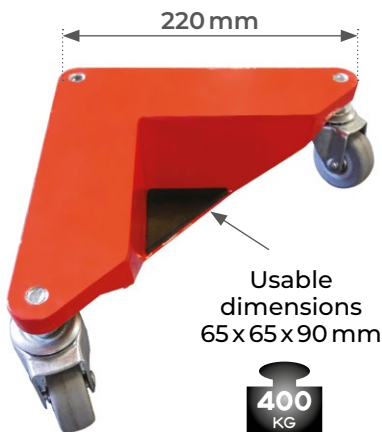
Corner mover skates 400 and 600 kg

FEATURES

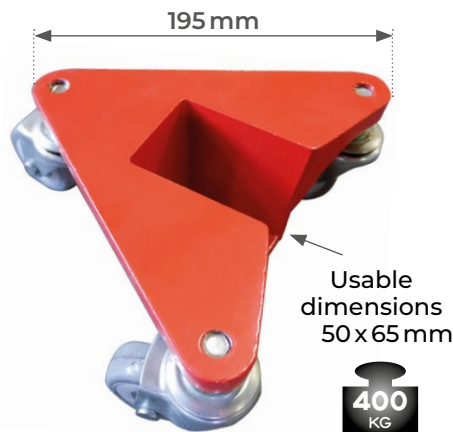
- Low-profile, very easy to slide under the load
- 3 x rubber swivel casters
- Anti-slip pads
- Ideal for moving heavy and bulky loads
- Load capacity: up to 600 kg



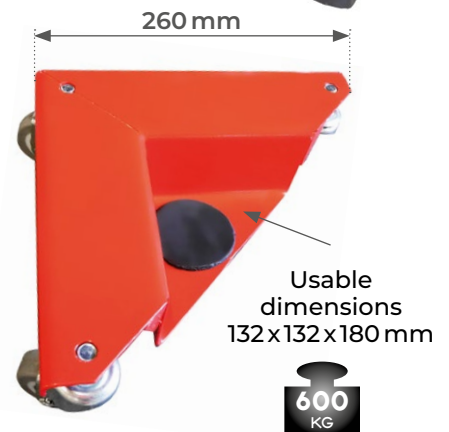
AR150



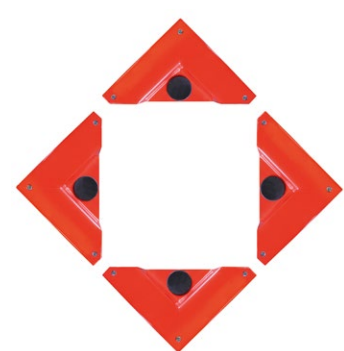
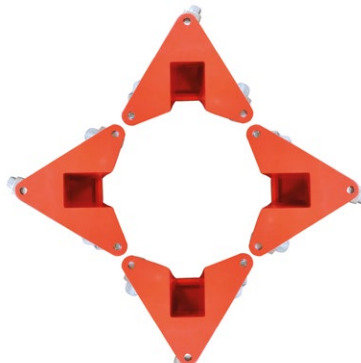
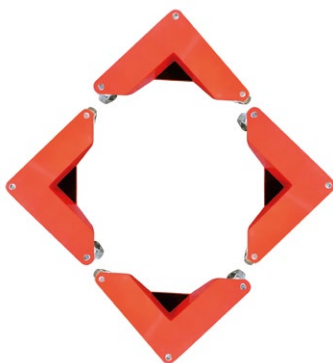
AR100A



AR100B



AR150



Model		AR100A	AR100B	AR150
Set load capacity	kg	400	400	600
Overall dimensions	mm	220x220x305	195x195x195	260x260x370
Total height	mm	85	85	85
Usable dimensions	mm	65x65x90	50x65	132x132x180
Load height	mm	15	15	15
Material		aluminum	aluminum	steel
Number of wheels		3 x ball bearings swivel casters per corner		
Rubber wheels	mm	Ø50x20	Ø50x20	Ø50x20
Set weight	kg	5,6	4,8	8



**SOLD BY SET
OF FOUR**